

LLOYD TABLE COMPANY

COSMIC IV INTERSEGMENTAL TRACTION TABLE OPERATION & PARTS MANUAL



Lloyd Table Company
102 W. Main Street * Lisbon, IA 52253
Phone 319-455-2110 Fax 319-455-2166
Website www.lloydtable.com
Email sales@lloydtable.com
Call Toll Free 1-800-553-7297

LLOYD
TABLE COMPANY

CONTENTS

<u>OPERATIONS</u>	<u>PAGE</u>
Safety and Maintenance.....	1 - 2
Setup Instructions.....	3
Electrical Connection.....	4
Operating Instructions & Functions of the Controls.....	5 - 6
Calibration Instructions.....	7
Product Disclaimer.....	8
Table Specifications.....	8
Assisting Patients On & Off Table.....	9
Cabinet Assembly.....	10-11
Roller Carriage Assembly.....	12
Travel Carriage Assembly.....	13
Electrical Assembly.....	14
Cosmic IV Wiring Diagram.....	15

Table Serial Number _____

WELCOME!!

Lloyd Table Company, a proud supporter of today's chiropractors, has established the finest line of chiropractic tables in the world. Table products unique in versatility and function, designed to meet your needs.



SAFETY

Concerned for a safe working and treatment environment, Lloyd Table Company asks that you follow the safety tips below.

- * Read all instructions in the operations manual thoroughly before operating your Cosmic III inter-segmental traction table.
- * Only a qualified and trained health care provider should use the Cosmic III.
- * Instruct patient on proper mounting and dismounting of the table.
- * A patient should never be unattended, when lying on the table.
- * Patients should not be allowed to sit on the table unless a qualified staff member supervises them.
- * Do not allow children to play around the table.
- * Always unplug the table before removing the tabletop.
- * Never place hands or fingers in front of or behind the rollers.
- * Follow the maintenance schedule provided in this Operation's Manual.



MAINTENANCE

The following list covers all areas of the Cosmic IV Inter-segmental Traction Table that should be checked, cleaned and have worn parts replaced during a preventative maintenance. Maintenance schedules are listed below and it is suggested that a maintenance routine every six (6) months should be performed by a qualified service technician.

- * Always unplug table before doing maintenance.
- * Clean and wipe off any dust accumulation inside the cabinet along with all parts.
- * Blow dust from relay board when cleaning (see Fig. 2 Page 3)
- * Inspect rollers to see that they are turning smoothly and quietly.
- * Check the drive chain to see that it is taut.
- * Check switches for proper operation.

Upholstery Care and Cleaning

For proper care and cleaning of the upholstery material, use a solution of 10% household liquid dish soap with warm water applied with a soft damp cloth only.

Use of cleaners not specifically recommended for vinyl or lack of care and cleaning of the upholstery may result in the vinyl becoming hard and brittle.

SETUP INSTRUCTION

Read and complete all steps of instructions before operating your Cosmic IV table.

1. Remove Cosmic III from crate
2. Remove the tabletop from the base of the table, by simply lifting the strap on top.
3. Remove Contents-Bag (Hand Control, A/C Cord, and Wheels).
4. Install wheels (See Fig. 1).

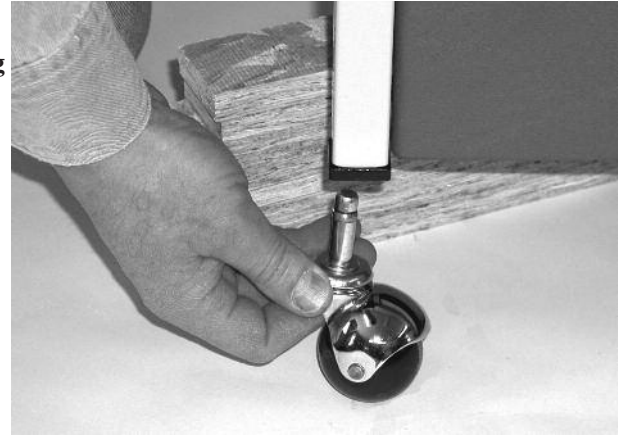


Fig. 1

5. Install Hand Control (See Fig. 2).

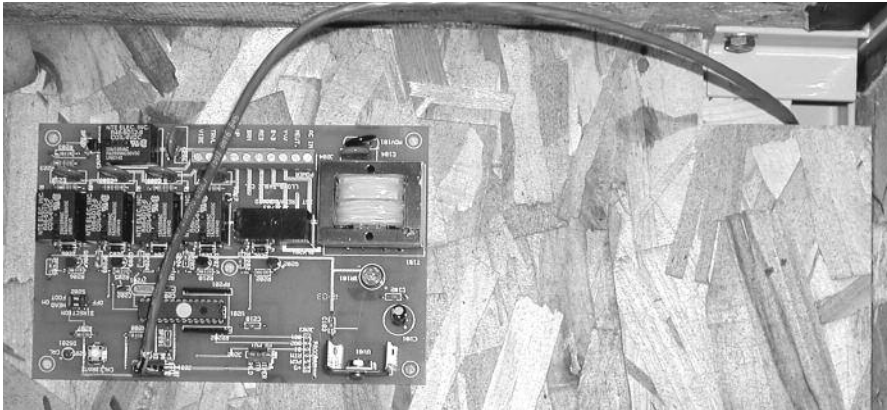
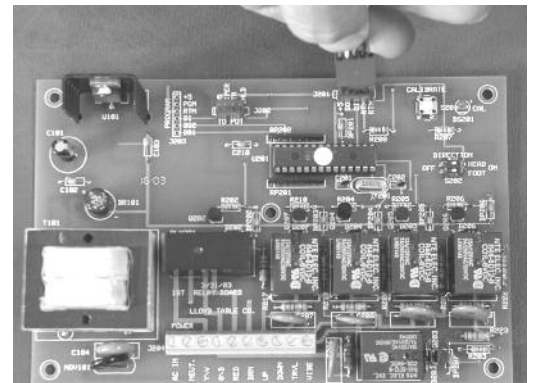


Fig. 2



- A. Simply feed the cable of the Hand Held Unit through the base of the table as shown in Fig. 2.
- B. Connect the Cable of the Hand Held Unit to the five prong male connector as shown above in Fig. 2.

- 6. Mount Hand Control Cradle to side of table or on wall.
- 7. Plug in A/C cord to back or foot end panel (See Fig. 4)

Master Power Switch

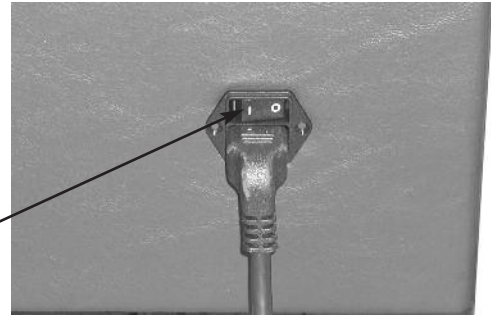


Fig. 4

- 8. Plug A/C cord into Grounded wall outlet.
- 9. Turn table on by pressing the master power switch (See Fig. 4)
- 10. Once the master power is tuned on, the massage rollers will automatically lower.
As the massage roller lowers, a brace used to secure for shipping will drop onto rollers. Please remove and discard the brace.
- 11. Replace the tabletop and check all functions before use on patient.

ELECTRICAL CONNECTION

A power supply of 120 volts, 60Hz AC, 10 amps are required. For your personal safety, this instrument must be grounded. This device is equipped with a power supply having a three (3) prong grounding plug. To minimize possible shock hazard, it must be plugged into a mating three (3) prong grounding type wall receptacles, grounded in accordance with the National Electrical Code and local codes and ordinances. If a mating wall receptacle is not available, it is the responsibility and obligation of the customer to have properly grounded three (3) prong wall receptacle installed by a qualified electrician.

WARNING!



- * RISK OF FIRE, ELECTRICAL SHOCK AND PERSONAL INJURY HAZARD.
- * AN EXTENSION CORD SHOULD NOT BE USED WITH THIS INSTRUMENT.
- * DO NOT, UNDER ANY CIRCUMSTANCES, REMOVE THE POWER SUPPLY CORD GROUND PLUG!

OPERATING INSTRUCTIONS

Before operating this machine the operator should first become familiar with the purpose and the functions of the Cosmic III.

PURPOSE OF UNIT

The Cosmic IV is for spinal inter-segmental traction, spinal mobilization, and back massage. The table was designed to apply controlled pressure through the action of three rotating rollers that can be placed either in a stationary position or in longitudinal motion (TRAVEL). Changing the height of the rollers varies the pressure. The direction in which the rollers rotate is adjustable.

FUNCTIONS OF THE CONTROLS

Before operating functions of the Cosmic IV, the table must first be plugged into a three prong-grounding receptacle.

The hand held control consists of the following switches:



FACTORY PRESET PROGRAM

The Cosmic III is factory set with the following parameters:

1. The treatment time is preset for 10 minutes.
2. The direction of the massage rollers is rotating toward the foot (F) end of the table.
3. The massage roller carriage “TRAVEL” is turned on.

A treatment session, with the above parameters, will start once the “START” button is pushed. By default the massage roller height is at the lowest setting, thus you must push and hold the “ADJUST” up button to raise the massage rollers to the desired height. ▲

DURING THE TREATMENT

The treatment can be paused by pushing the “START” button once. To restart and continue the treatment push the “START” button once again.

To start the vibration feature simply push the “VIBRATE” button once. To turn off vibration feature simply push the “VIBRATE” button again.

You can stop the travel of the massage roller carriage, to work in a specific area, by pushing the “TRAVEL” button once. To resume massage roller carriage travel push the “TRAVEL” button once again.

By pushing the “STOP” button all treatment parameters will stop and the massage rollers will lower to the lowest setting.

CUSTOMIZE TREATMENT PARAMETERS

If you wish to set your own treatment parameters please use the following directions:

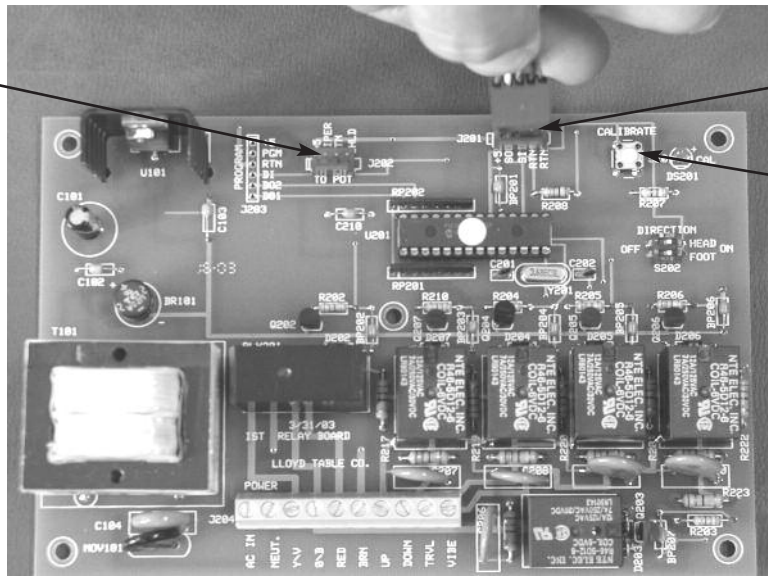
1. Press and hold the “STOP” button for at least 5 seconds. The display will start flashing ON/OFF showing that the unit is in the program mode.
2. The program mode is entered with the session time ready to set. Press the adjust up button (▲) or down button (▼) to change session duration.
3. Press the “DIRECTION” button and then push the “ADJUST” up button (▲) twice for Head (H) or “ADJUST” up once for Neutral (--). NOTE: By Default the direction of rotation of the massage rollers is in the (F) position.
▲
4. To end programming, press and hold the “STOP” button for at least 5 seconds. The display will stop flashing and the unit will operate as programmed.

!! NOTE !! Your Cosmic IV has already been calibrated at the factory. The following procedures are to be carried out by a qualified service representative & only if you receive a “E-3” message on the control head.

Potentiometer Plug-in

Hand Controller Plug-in

Calibration Button



Calibration Instructions

The Cosmic IV includes a micro-controller that is used to calibrate the height settings. This procedure describes how to power up the bench the first time it is used and how to calibrate the height settings.

1. Check that the frame of the carriage and frame of the travel motor have continuity to the ground pin of the line cord.
2. Check to be sure the fuse wire is connected to the switched terminal of the power entry module.
3. Check the fuse is 6-1/4 Ampere.
4. Observe that the potentiometer and hand controller are plugged in the circuit board (shown above) check the wiring to make sure it is correct.
5. Set the ON/OFF switch to OFF and plug the line cord into the power outlet (wall socket).
6. Set the ON/OFF switch ON and observe the handheld display digits light and temporarily display “88”.
7. In short time the display should change to read “E3” if this is the first time the electronics have been used.
8. Push the calibration button (shown above) on the circuit board. This is a small button near the upper right hand corner of the board (shown above).
9. Push and release the Height button (shown on page 6). At this time the message head height should run all the way to the maximum height and then return back to minimum. When the height has returned to minimum, the calibration is complete.
10. If the table controls lock up or display does not make sense, turn off the power and wait at least twelve seconds before turning power on again.

DISCLAIMER

Lloyd Table Company does not represent or warrant under any circumstances that a particular result can or will be achieved by using this product. The choice to use the product, the method or methods of use, the diagnosis of the patient's condition and application for the patient is solely the responsibility of the treating physician and not Lloyd Table Company

TABLE SPECIFICATIONS

Height:	25 inches
Length:	72.5 inches
Width:	22 inches
Shipping Weight (approx):	175 lbs.
Table Weight:	118 lbs.

CONTRAINDICATION

Contraindication of localized inter-segmental traction are:

1. **Skin irritations that might be aggravated by the rollers, such as:**
 - * **Shingles**
 - * **Sunburn**
 - * **Boils**
 - * **Bruises**
2. **Phlebitis: (inflammation of a vein).**
3. **Fractures of a bone or suspected fractures.**

ASSISTING PATIENTS ON THE TABLE

- * The doctor or trained staff should always place the patient on the table. Do NOT allow the patient to get on the table without help. This could cause strain to the patient or a loss of balance. Also, assistance is needed so that the patient does not put pressure on the roller area of the table with his or her arm.
- * The patient should check clothing for keys, wallet, or any other items that may cause discomfort from the rollers during the treatment.
- * To be assured that discomfort or strain does not come to the patient while being helped on to the table, the pressure rollers should be in the lower position. (The table automatically has this feature unless a malfunction exists)
- * Position the patient on the unit so that the base of the spinal column (sacrum) is located at the end of the roller-slot. Change the position of the patient ONLY if a specific treatment for the spinal column is suggested.
- * Keep the lights dim and avoid bright lights glaring into the patient's eyes.

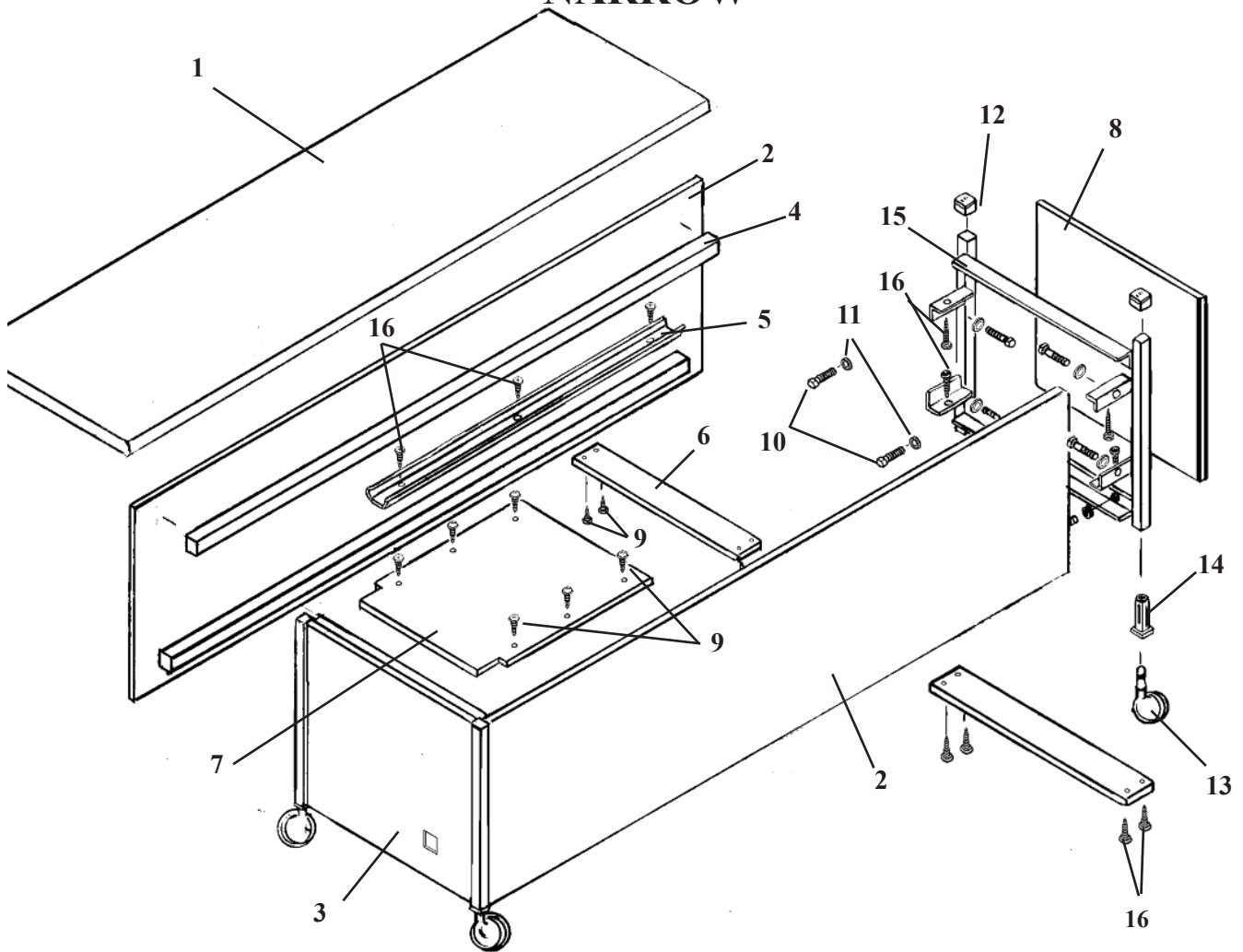
ASSISTING PATIENTS OFF THE TABLE

Caution the patient not to get up from the table alone, so as to prevent a strain that may cause a chance of becoming light-headed which can develop from laying down and cause loss of balance.

SEVEN EASY STEPS TO HELPING PATIENTS OFF TABLE:

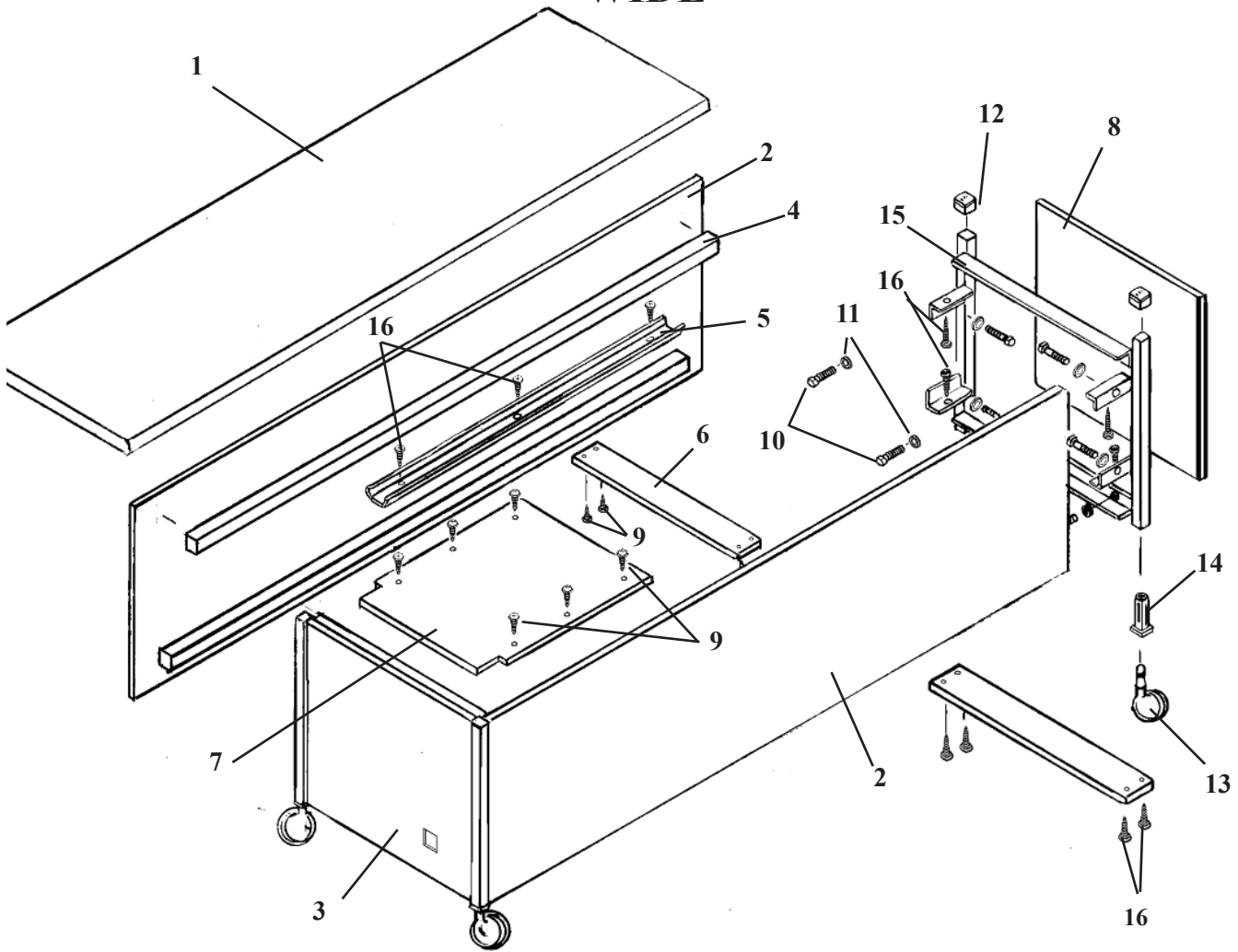
1. Brace your knee against the table.
2. Extend your left forearm across patients' chest and have patient grasp your arm near the elbow.
3. Have patient hold your arm and not apply any strain to sit upright.
4. Put your right hand under the patients' left knee.
5. As patient pulls on your arm, pivot the patient on the buttocks by pulling on the left knee and gently swing the legs off the table.
6. The patient quickly and easily comes to a sitting position.
7. Allow patient to regain balance before coming to full standing position.

COSMIC CABINET ASSEMBLY NARROW



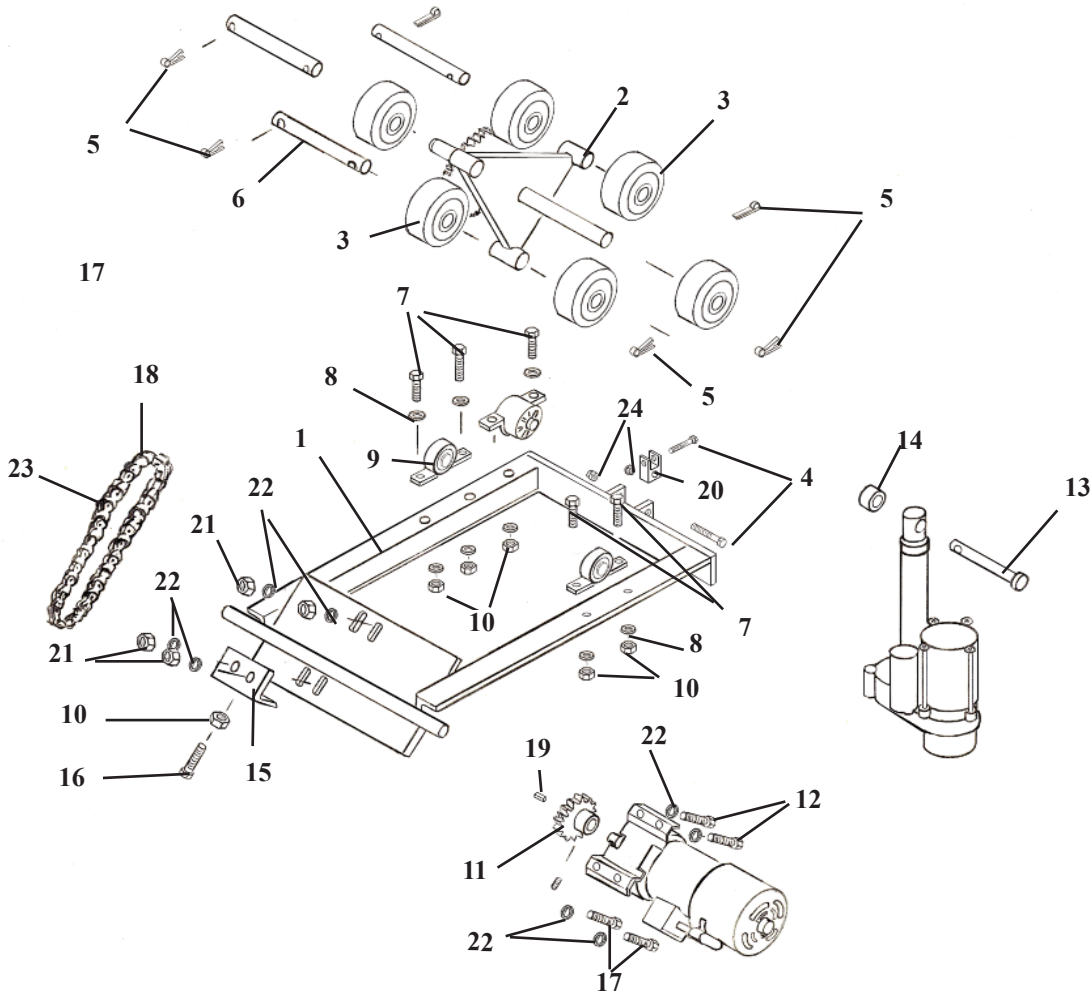
ITEM	PART NO.	DESCRIPTION	QTY.
1	43125	TOP ASS'Y	1
2	43101	SIDE ASS'Y	2
3	43118	BACK END ASS'Y	1
4	43117	SUPPORT RAIL	4
5	56485	GUIDE RIAL	2
6	43121	CROSS BRACE	1
7	43120	ELECTRICAL PLATFORM	1
8	43123	FRONT END PANEL ASS'Y	1
9	22486	FLAT HD. SHEET ROCK SCREW, #8 X 1 5/8	10
10	20010	HEX.HD. BOLT, 1/4-20 X 3/4	16
11	21610	FLAT WASHER, 1/4	16
12	24411	PLASTIC CAP	4
13	24439	WHEEL CASTER	4
14	24268	INSERT	4
15	56454	END FRAME ASS'Y	2
16	22484	FLATE HD. SHEET ROCK SCREW, #8 X 1 1/4	14

COSMIC CABINET ASSEMBLY WIDE



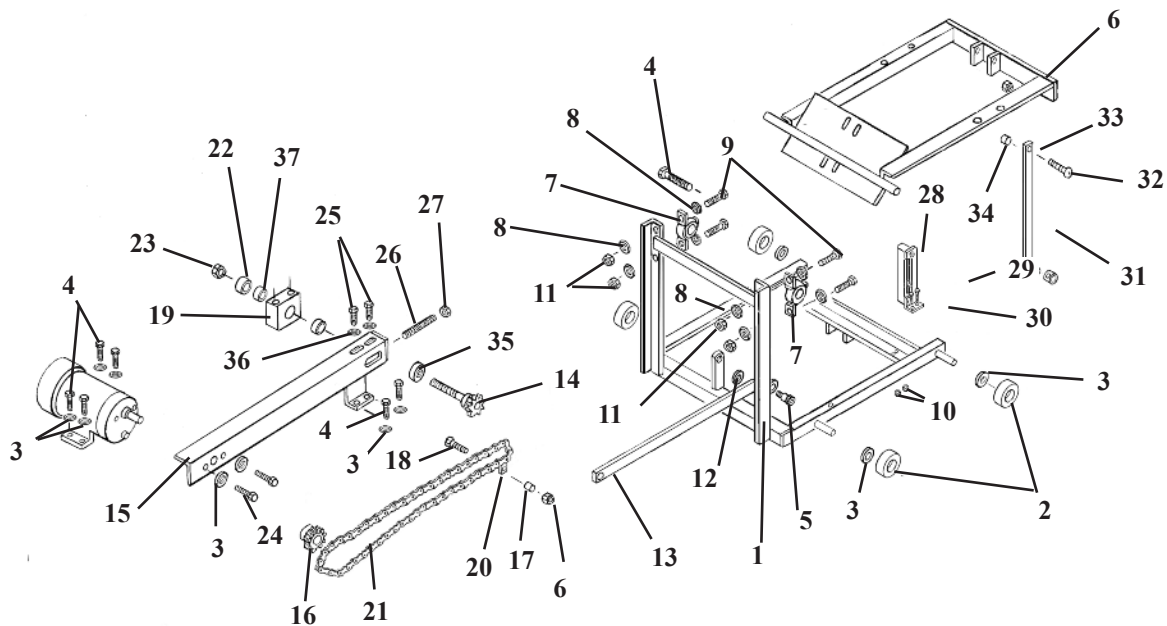
ITEM	PART NO.	DESCRIPTION	QTY.
1	43145	TOP ASS'Y	1
2	43147	SIDE ASS'Y	2
3	43139	BACK END ASS'Y	1
4	43144	CROSS BRACE 1 X 6 X 23 5/8	1
5	56485	GUIDE RAIL	2
6	43143	CROSS BRACE, 1 x 2 x 23 3/4	1
7	43134	ELECTRICAL PLATFORM	1
8	43138	FRONT END PANEL ASS'Y	1
9	22486	FLAT HD. SHEET ROCK SCREW, #8 X 1 5/8	10
10	20010	HEX.HD. BOLT, 1/4-20UNC X 3/4	14
11	21610	FLAT WASHER,	16
12	24411	PLASTIC CAP	4
13	24439	WHEEL CASTER	4
14	24268	INSERT	4
15	56440	END FRAME ASS'Y	2
16	22484	FLAT HD. SHEET ROCK SCREW, #8 X 1 1/4	22
17	22011	FLAT HD. MACHINE SCREW, 1/4-20UNC X 5/16	2

ROLLER CARRIAGE ASS'Y 600064



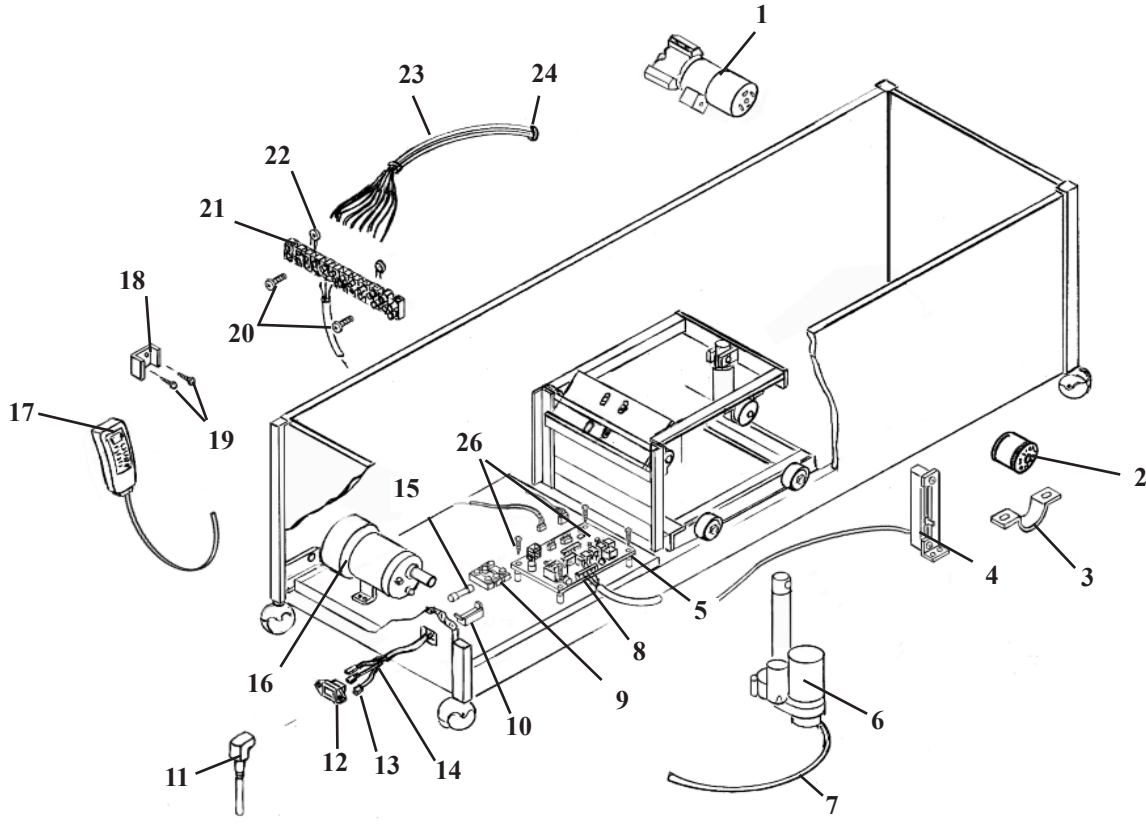
ITEM	PART NO.	DESCRIPTION	QTY.
1	56475	ROLLER CARRIAGE ASS'Y	1
2	56450	ROLLER STAR ASS'Y	1
3	56113	WHEEL	6
4	20361	HEX HEAD BOLT, 3/8-16 UNC X 1 3/4	2
5	22640	COTTER PIN	6
6	56489	AXLE ROD	3
7	20220	HEX HD. BOLT, 5/16-18 UNC X 1	5
8	21710	FLAT WASHER, 5/16ID X .688OD	5
9	22819	PILLOW BLOCK BEARING	2
10	20810	HEX NUT, NYLON LOCK, 5/16-18UNC	6
11	24398	SPROCKET, 5/8 ID-9 TOOTH	1
12	20010	HEX HEAD BOLT, 1/4-20 UNC X 3/4	2
13	22692	CLEVIS PIN, 3/8 RD X 3 1/2	1
14	22914	COLLAR, 3/8 ID X 1/2 OD	1
15	56464	TENSION PLATE	1
16	20222	HEX HEAD BOLT, 5/16-18 UNC X 1 1/4	1
17	20022	HEX HEAD BOLT, 1/4-20 UNC X 1.00	4
18	55906	DRIVE CHAIN #40 x 28 1/2"	1
19	56487	SHAFT KEY, 3/16 X 3/8 X 1 1/8	1
20	56148	ADAPTER BLOCK, 1 X 1 1/4 X 1 3/4	1
21	20800	HEX NUT NYLON LOCK, 1/4-20 UNC	6
22	21610	FLAT WASHER 1/4ID X 1/2OD	10
23	24208	CONNECTING LINK	1
24	21210	HEX NUT, 3/8-16 UNC	2

TRAVEL CARRIAGE ASSEMBLY



ITEM	PART NO.	DESCRIPTION	QTY.
1	56465	TRAVEL CARRIAGE FRAME	1
2	24437	RUBBER WHEEL 2"	4
3	21620	FLAT WASHER, 1/4ID X 9/16OD	8
4	20022	HEX BOLT, 1/4-20UNC X 1.00	8
5	20002	SHLD BOLT, 1/4-20UNC X 3/8	1
6	20795	HEX NUT, #10-24 UNC (NYLON)	1
7	22818	BALL BEARING, ROLLER CARRIAGE	2
8	21710	FLAT WASHER, 5/16ID X 5/8OD	8
9	20220	HEX BOLT, 5/16-18UNC X 1.00	4
10	20799	HEX NUT, NYLON INSERT, #8-32 UNC	2
11	20810	NYLON LOCK NUT, 5/16-18UNC	4
12	21760	PLASTIC WASHER, 5/16ID X 1/2OD	2
13	56488	LINKAGE BAR	1
14	56461	AXLE, IDLER	1
15	56463	MOUNTING PLATE	1
16	24398	SPROCKET, 9 TOOTH	1
17	22910	SET COLLAR, 1/4 ID	1
18	20023	HEX BOLT, 1/4-20UNC X 1 1/4	1
19	56458	TENSION BLOCK	1
20	24207	TRAVEL LINK	1
21	55905	DRIVE CHAIN 49 1/2"	1
22	22830	ROLLER BEARING 5/8"	2
23	21214	HEX NUT, 5/8-18 UNF	1
24	20007	HEX BOLT 1/4-20UNC X 5/8	2
25	20320	HEX BOLT, 3/8-16 UNC X 3/4	2
26	56449	ADJUSTING ROD 3/8-16UNC	1
27	21210	HEX NUT, 3/8-16UNC	1
28	56484	SWITCH MOUNTING PLATE	1
29	21968	FLAT HD SCREW, #3MM X .5 X 6	2
30	21985	PAN HD SCREW, #8-32unc x 3/4	2
31	22909	SET COLLAR 3/16 ID	1
32	22000	OVAL HD SCREW, #10-24 UNC X 3/4	1
33	56490	LINKAGE BAR, 1/8 X 3/4 X 10 1/8	1
34	22860	BUSHING, 3/16 ID X 1/4 OD	1
35	22940	SET COLLAR, 5/8 ID	1
36	21810	FLAT WASHER 3/8 ID	2
37	56492	SPACER, 5/8 ID X 1.0D X 3/8	1

ELECTRICAL ASSEMBLY



ITEM	PART NO.	DESCRIPTION	QTY.
1	30590	ROTATION MOTOR	1
2	30516	VIBRATION MOTOR	1
3	35215	MOTOR BRACKET	1
4	44961	POTENTIOMETER SWITCH ASS'Y	1
5	37940	SPACER, CIRCUIT BOARD	4
6	30591	HEIGHT MOTER	1
7	45205	CABLE ASS'Y, HEIGHT MOTOR	1
8	31508	CIRCUIT BOARD	1
9	38347	WIRE TERMINAL (3 POSITION)	1
10	36510	FUSE HOLDER	1
11	36172	POWER CORD	1
12	37189	SWITCH, AC INLET	1
13	36162	CONNECTOR, QUICK	5
14	38570	WIRE, 18 ga. - 15"	3
15	36360	FUSE	1
16	30589	DRIVE MOTOR	1
17	44944	HAND CONTROL BOX	1
18	35213	HANGER	1
19	22455	WOOD SCREW, #8 x 3/4	2
20	21976	PAN HD. MACHINE SCREW #6-32 unc x 3/4	2
21	38363	WIRE TERMINAL (12 POSITION)	1
22	38540	VARISTER	2
23	38570	WIRE, 18 ga. - 54"	9
24	38400	CABLE TIE	10
25	35940	WIRE CLIP	1
26	22420	PAN HD SCREW, #6 x 1.00	4

LLOYD TABLE COMPANY

PRODUCTS & ACCESSORIES



LLOYD



**TABLE
COMPANY**



102-122 W. Main Street • Lisbon, Iowa 52253-0899 • Phone 319-455-2110
Call Toll Free 1-800-553-7297 FAX: 319-455-2166

www.lloydtable.com